

**Highest
Productivity**

4800 pieces per hour (less than 18g setting)
Ultimate and fluffy Shari (Rice) Ball

Compact Sushi Machine

SSN-JLX/SSN-JLX-CE



SSN-JLX

SSN-JLX-CE



Make Perfect Soft and Fluffy Nigiri Sushi Rice Balls

Creates consistent, high quality nigiri sushi rice balls using our proven technology for accurate measuring for perfect traditional shaped nigiri sushi rice balls without kneading, crushing, or cutting the rice grains.

Easy User Operation

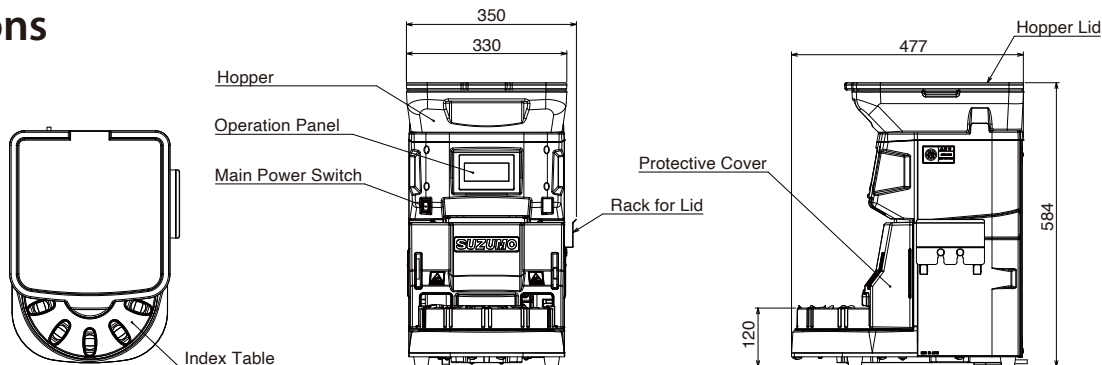
Simple operation using the LCD touch screen panel to adjust speed, softness, weight, and compression. Set user language preference in English, French, German, Spanish, Korean, Chinese, or Japanese.

Integrated Rice Warmer

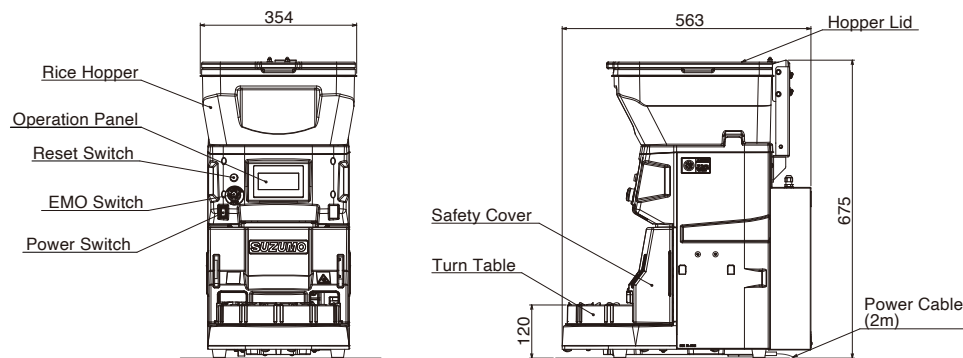
Keep the sushi rice at the optimal temperature to allow for the output of warm nigiri sushi rice balls.

Dimensions

SSN-JLX
(Standard hopper)



SSN-JLX-CE



Unit : mm

Specification

Model	SSN-JLX SSN-JLX-CE (Applied to CE & UKCA Regulation)
Capacity	3000, 3600, 4200, 4800pieces per hour (selectable) * In case of weight 19-22g setting, the maximum capacity may be lower.
Machine Dimensions	SSN-JLX: <Standard hopper> 350Wx477Dx584Hmm <Large hopper> 362Wx479Dx670Hmm *Include rack for lid SSN-JLX-CE: 354Wx563Dx675Hmm
Input	AC220V-240V 50/60Hz Single Phase
Power Consumption	SSN-JLX: 170W SSN-JLX-CE: 190W
Hopper Capacity	Standard hopper (Excluding SSN-JLX-CE): Approx. 5.5Kg Large hopper: Approx. 10Kg
Weight per piece	SSN-JLX: 12 - 22g SSN-JLX-CE: 16 - 25g * 12g to 16g requires different mold unit
Hardness Setting	Soft ↔ Hard (7 steps adjustment)
Machine Weight	SSN-JLX: Approx. 25Kg SSN-JLX-CE: Approx. 30Kg
Optional Items	Transfer Unit Wasabi unit (Inapplicable for CE certified model)

Features

- Compact design with easy loading of sushi rice into the machine.
- The integrated rice warming function keeps the rice at an optimal temperature for output of the ideal form and texture of the nigiri rice balls.
- Makes consistent and perfect soft and fluffy nigiri sushi rice balls without kneading and crushing of the rice ball.
- Easy to view and use LCD touch screen display panel allows for quick customization and operation.
- Choose from two different sized rice hoppers. (Excluding SSN-JLX-CE)
- Simple assembly and disassembly. Easy to clean, sanitize, and maintain.

*Design and specification subject to change without notice. *Please follow the instruction in the operation manual when handling the machine.

*While capacity expresses the machine's performance capabilities, it is predicated upon the machine being operated correctly.

Suzumo Machinery Co., Ltd. Global Business Division

2-23-2, Toyotamakita, Nerima-ku, Tokyo 176-0012, Japan
Tel. +81 3-3993-1407 Fax. +81 3-3993-1756
e-mail overseas@suzumo.co.jp URL <https://www.suzumokikou.com>

< Contact in North America >

Suzumo International Corporation

Head Office : 1815 W. 205th Street, Suite 101 Torrance, CA 90501 U.S.A.
Tel. +1 310-328-0400 Fax. +1 310-328-2700 e-mail sic@suzumokikou.com

East Office : 375 North Street, Unit K, Teterboro, NJ 07608 U.S.A.
Tel. +1 201-568-1900 e-mail sic@suzumokikou.com

< Contact in Singapore >

Suzumo Singapore Corporation Pte. Ltd.

421 Tagore Industrial Avenue #04-11 Tagore 8, Singapore 787805
Tel. +65 6254-2080 Fax. +65 6254 2086 e-mail sales@suzumo-sg.com

雅麗盈設備有限公司 APEX NOBLE EQUIPMENT LTD

Tel: (852) 36901333, 36901338, Fax: (852) 36901339, Email: info.anel@gmail.com, info@anel.com.hk
Unit 5, 18/F., Wah Chun Industrial Centre, 95 Chai Wan Kok Street, Tsuen Wan, New Territories, Hong Kong.
香港荃灣柴灣角街95號華俊工業中心18樓05室
Website: www.anel.com.hk